



- 4 and 6 Seater
- 4 and 6 Lifted
- All Model Years

PULSE PARTS MANUAL



(866) 542-8677



support@bintelli.com

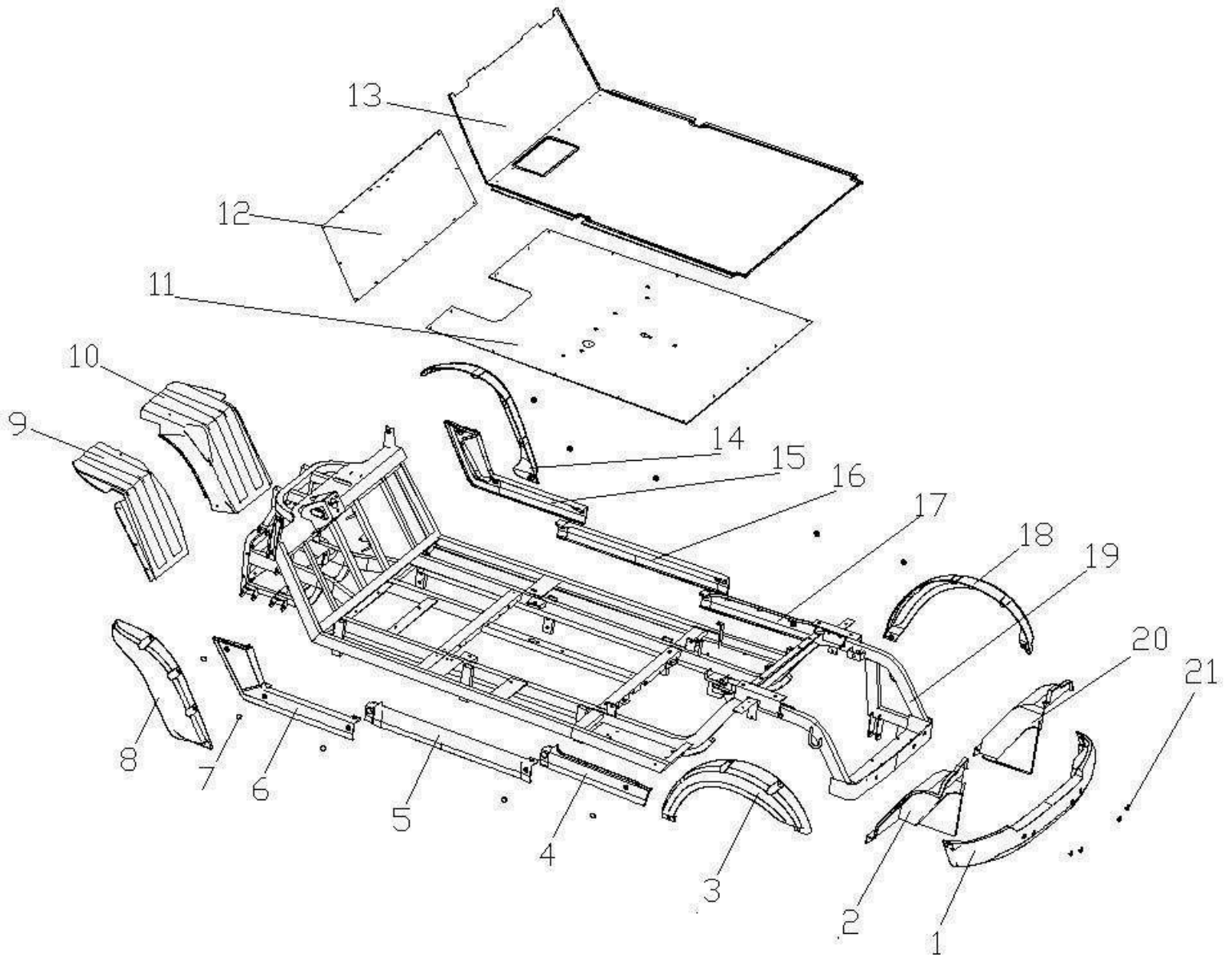
TABLE OF CONTENTS

BODY TRIM	2
STEERING SYSTEM	4
STEERING GEAR ASSEMBLY	5
FRONT SUSPENSION ASSEMBLY	6
REAR SUSPENSION ASSEMBLY	7
REAR AXLE ASSEMBLY - LIFTED CART	8
REAR AXLE ASSEMBLY - LOWERED CART	9
TIRE ASSEMBLY	10
BRAKE SYSTEM	11
FRONT BODY COVER DASHBOARD ASSEMBLY	12
DASHBOARD COMPONENTS	13
REAR BODY COVER ASSEMBLY	14
ROOF ASSEMBLY-2+2 SEATS LOWERED CART & LIFTED CART	15
ROOF ASSEMBLY - 4+2 SEATS LOWERED CART & LIFTED CART	17
MIDDLE SEAT BUCKET, SEAT	19
CUSHION, BACKREST ASSEMBLY	21
FLIP SEAT & BACKREST ASSEMBLY - 2+2, 4+2 SEATS LOWERED CART & LIFTED CART	22-25
REAR PEDAL ASSEMBLY - 2+2, 4+2 SEATS LOWERED CART & LIFTED CART	26
ELECTRONIC CONTROL	27
WIRING	28
LOWERED CART FRONT BUMPER & BRUSH GUARD	29
LIFTED CART FRONT BUMPER & BRUSH GUARD	30
SIDE STEP-LIFTED CART	31

Body Trim

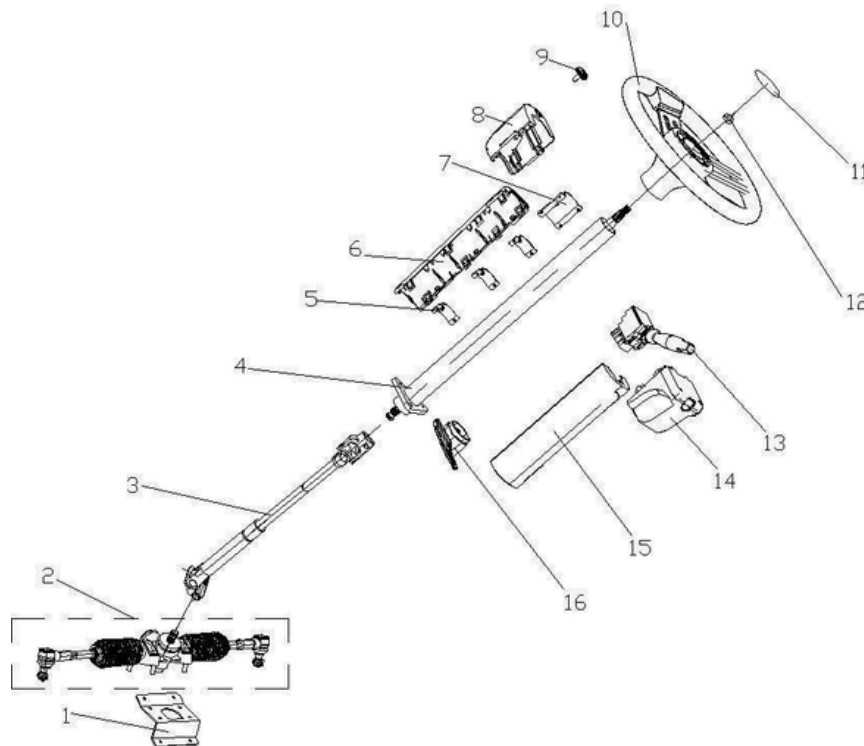
No.	Description	Part Number	PCS
1	Rear Liner	F0102045017	1
2	Rear Mud Guard (Left)	F0102045013.1	1
3	Rear Fender Flare-Left (Lifted)	F0102045025.1	1
	Rear Fender Flare-Left	F0102063042	1
4	Rear Retainer-Left	F0102045010.1	1
5	Middle Retainer (Left)	F0102045009.1	1
6	Front Retainer-Left	F0102063016	1
7	Retainer Plastic Nail-4P	F0102045063	8
	Retainer Plastic Nail-6P	F0102045063	10
8	Left Fender Flare (Lifted)	F0102077012	1
	Left Fender Flare	F0102063040	1
9	Left Front Fender (Lifted)	F0103020022	1
	Left Front Fender	F0103020024	1
10	Right Front Fender (Lifted)	F0103020023	1
	Right Front Fender	F0103020025	1
11	Floor Mat 4 Passenger	F0102045502	1
	Floor Mat 6 Passenger	F0102081508	1
12	Floor Headboard	F0102063502	1
13	N/A	N/A	-
	N/A	N/A	-
14	Right Fender Flare (Lifted)	F0102077013	1
	Right Fender Flare	F0102063041	1
15	Front Retainer-Right	F0102063017	1
16	Middle Retainer (Right)	F0102045009.2	1
17	Rear Retainer-Right	F0102045010.2	1
18	Rear Fender Flare - Right (Lifted)	F0102045025.2	1
	Rear Fender Flare - Right	F0102063043	1
19	Chassis Frame Assembly 4 Passenger (Lifted) ***NOT A SPARE PART***	F0102077002	1
	Chassis Frame Assembly 4 Passenger ***NOT A SPARE PART***	F0102077001	1
	Chassis Frame Assembly 6 Passenger (Lifted) ***NOT A SPARE PART***	F0102081002	1
	Chassis Frame Assembly 6 Passenger***NOT A SPARE PART***	F0102081001	1
20	Rear Mud Guard (Right)	F0102045013.2	1
21	Plastic Nail	F0102045063	4

Body Trim Parts Diagram



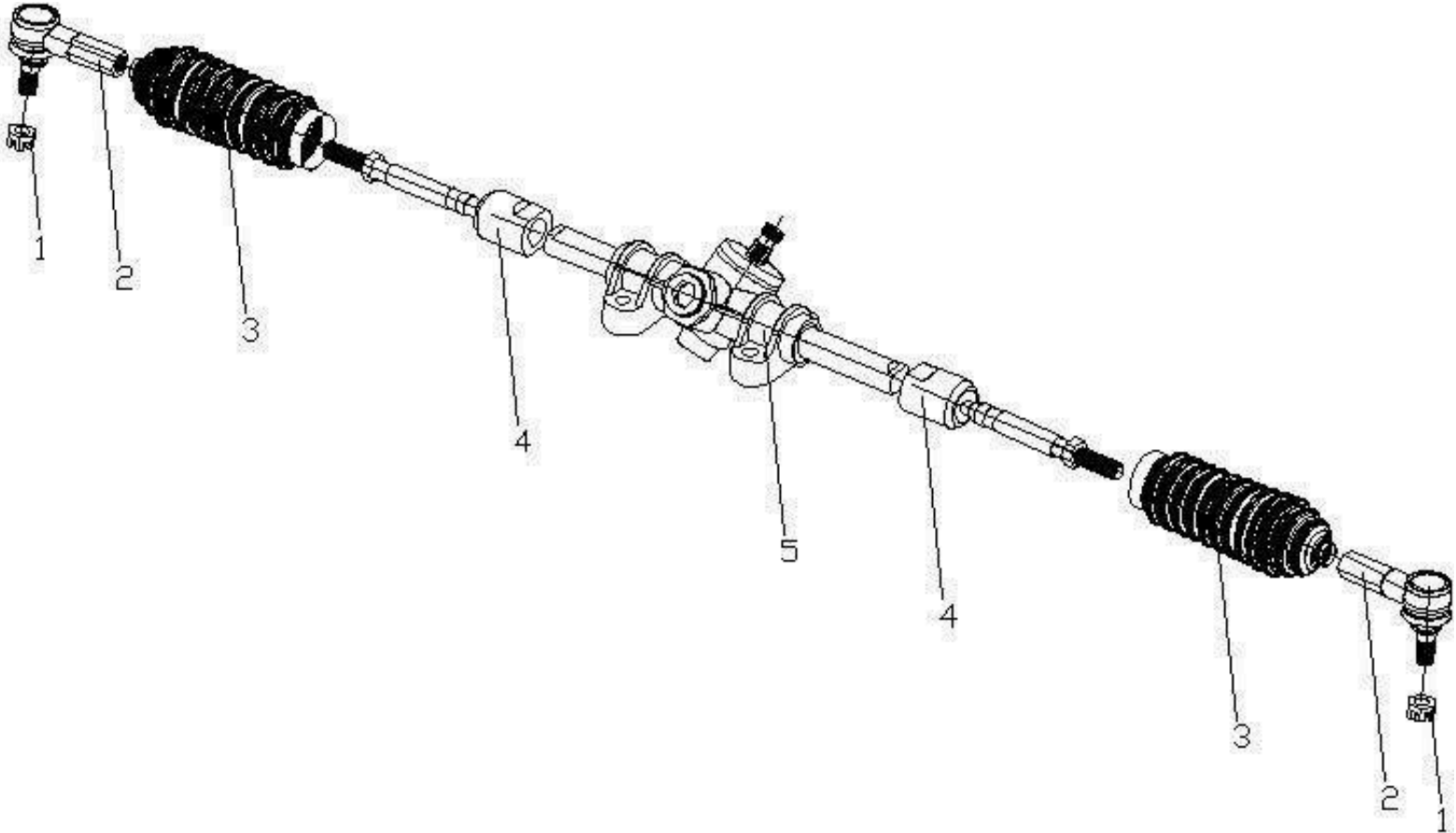
Steering System

No.	Description	Part Number	PCS
1	Steering Wheel Mounting Bracket	F0102081509	1
2	Steering Assembly (Lifted) (sold as assembly)	F0204003026	1
	Steering Assembly (sold as assembly)	F0204003025	1
3	Universal Joint Assembly (Lifted Cart)	F0204004053	1
	Universal Joint Assembly	F0204004052	1
4	Steering Column Assembly	F0204002031	1
5	Steering Column Hoop 2	F0204002033	3
6	Steering Column Cover-Right	F0102077040	1
7	Steering Column Hoop 1	F0204002032	1
8	Combination Switch Cover-Right	F0309001107	1
9	Mic	F0307003025	1
10	Steering Wheel	F0204001015	1
11	Steering Wheel Logo	F0199002087	1
12	Hexagon Flange Nut M16*2	F211900035	1
13	Combination Switch	F0309001102	1
14	Combination Switch Cover-Left	F0309001106	1
15	Steering Column Cover-Left	F0102077039	1
16	Steering Column Upper Gasket	F0102077016	1



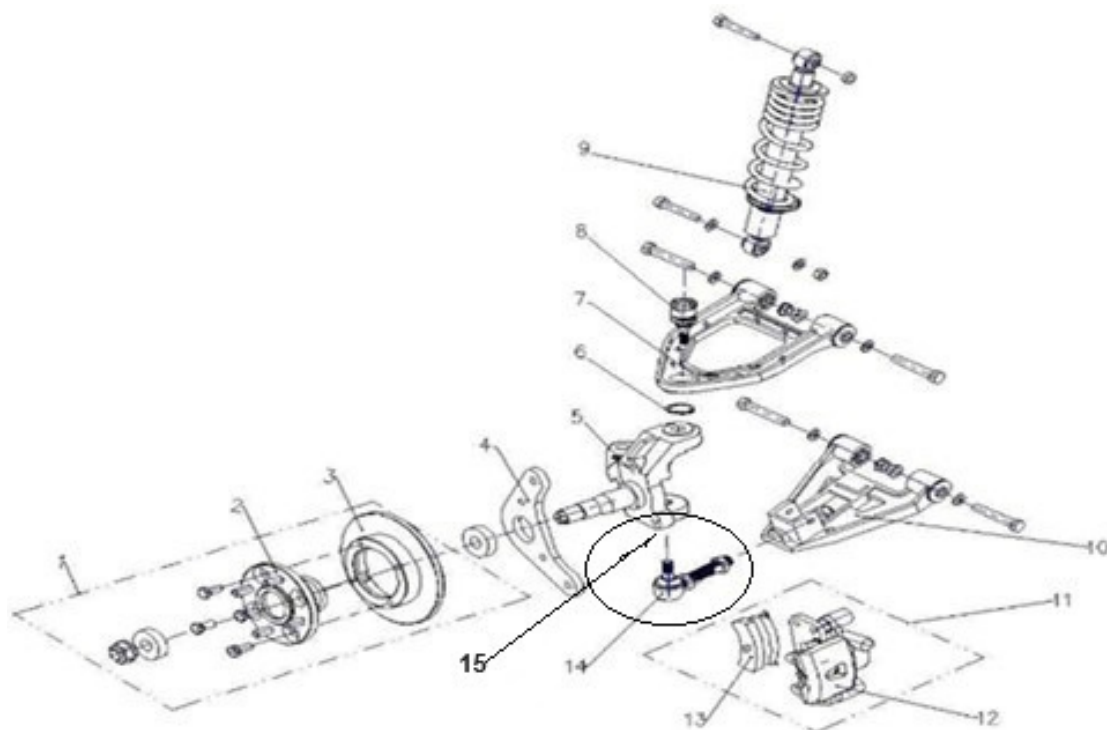
Steering System

No.	Description	Part Number	PCS
1	20x M12X 1.25 Castle Nut	F2101053004	2
2	Tie Rod End (Lifted) Sold as part of F0204003026	F0204003026.4	2
	Tie Rod End Sold as part of F0204003025	F0204003025.4	2
3	Dust Cover (Lifted) Sold as part of F0204003026	F0204003026.2	2
	Dust Cover Sold as part of F0204003025	F0204003025.2	2
4	Steering Tie Rod (Lifted) Sold as part of F0204003026	F0204003026.3	2
	Steering Tie Rod Sold as part of F0204003025	F0204003025.3	2
5	Steering Gear Body (Lifted) Sold as part of F0204003026	F0204003026.1	2
	Steering Gear Body Sold as part of F0204003025	F0204003025.1	2



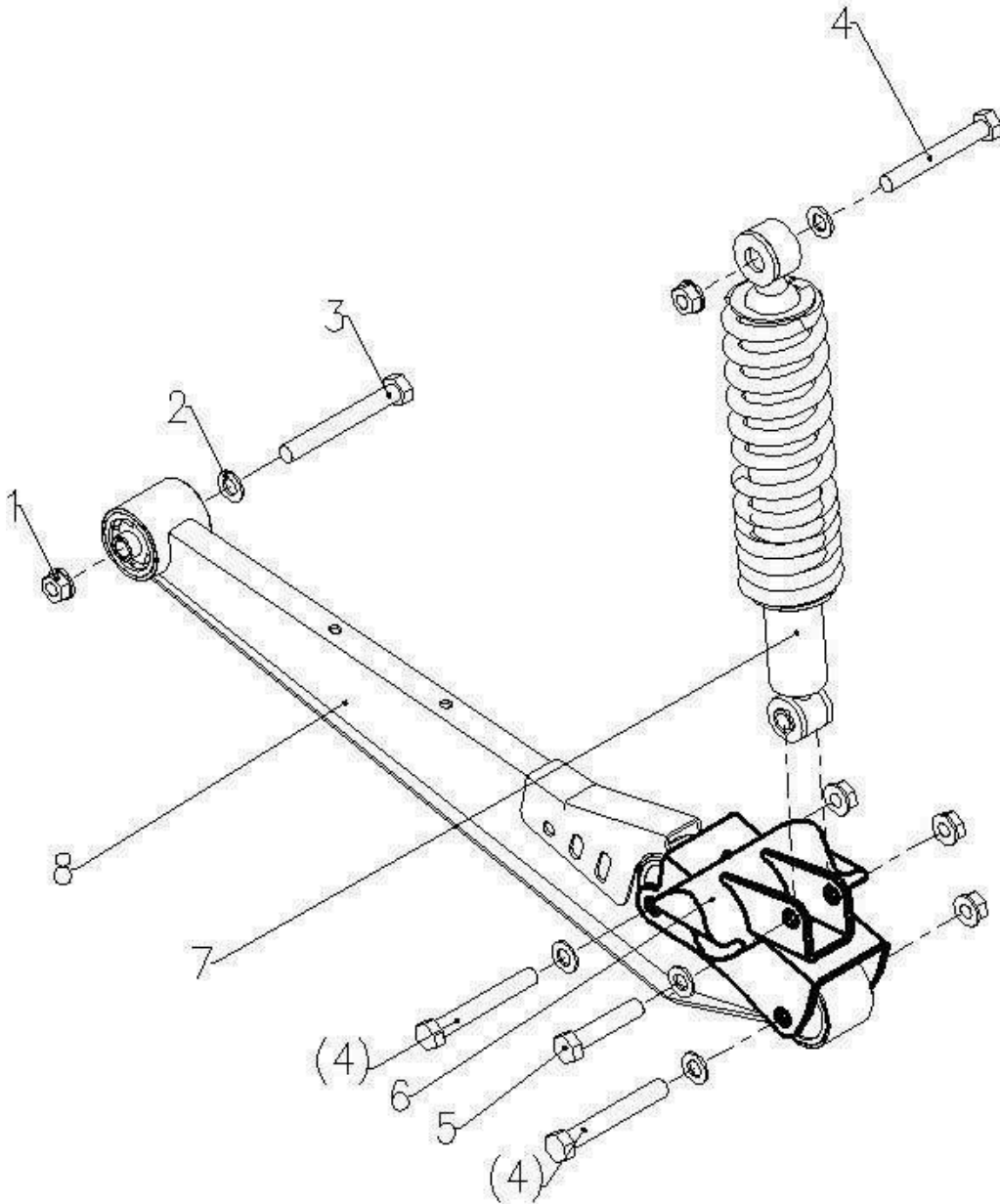
Front Suspension Assembly

No.	Description	Part Number	PCS
1	Pulse Brake Disc Brake Hub Bearing Assembly (Come as assembly; 1-3 in diagram below)	F0201002018	2
2	Pulse Hub Assembly Sold as part of F0201002018	F0201002018.1	2
3	Pulse Brake Disc Sold as part of F0201002018	F0201002018.2	2
4	Front Pump Fixed Plate	F0201002015	2
5	Disc-Brake Spindle Left	F0201011011	1
	Disc-Brake Spindle Right	F0201011012	1
6	Circlip 34	043134	2
7	Upper Control Arm (Same On Both Sides)	F0201013007	2
8	Ball Joint	F0201013007.1	2
9	Front Shock Absorber (Lifted)	F0202006037	2
	Front Shock Absorber	F0202006036	2
10	Lower Control Arm Left	F0201013008	1
	Lower Control Arm Right	F0201013009	1
11	Front Brake Caliper Assembly-Left	F0201002034	1
	Front Brake Caliper Assembly-Right	F0201002035	1
12	Front Caliper-Left	F0201002034.1	1
	Front Caliper-Right	F0201002035.1	1
13	Brake Pad Left	F0201002034.2	1
	Brake Pad Right	F0201002035.2	1
14	Adjustable Ball Housing Assembly	F0201013010	2
15	20x M12X 1.25 Castle Nut	F2101053004	1



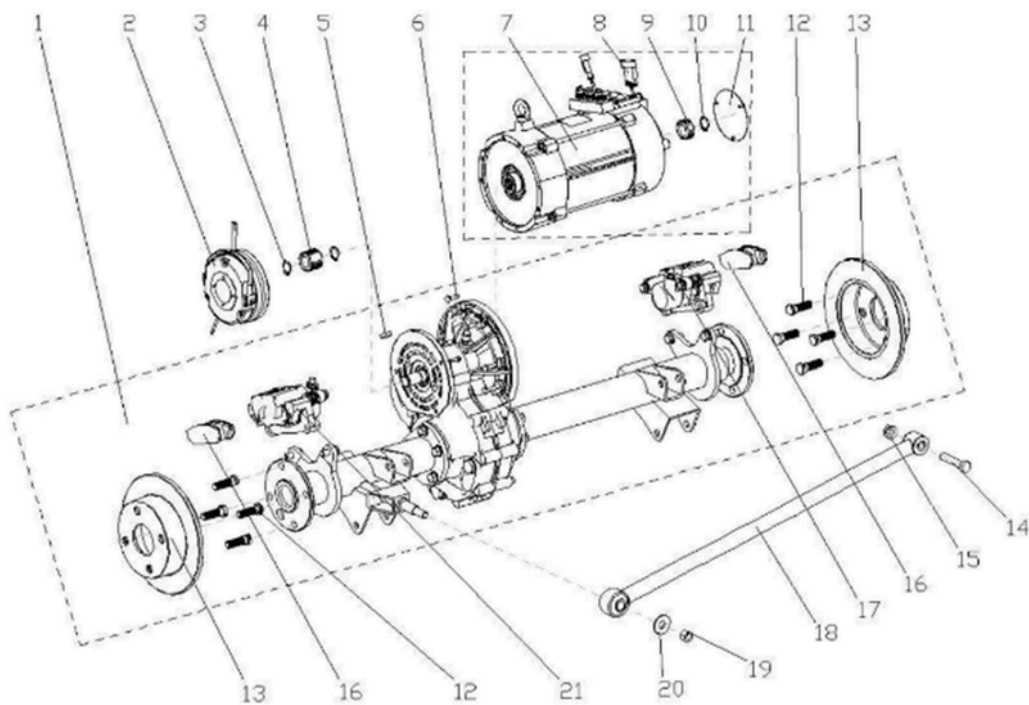
Rear Suspension Assembly

No.	Description	Part Number	PCS
1	Non-metallic Insert Hexagon Flange Nut M12	Y0301019093	10
2	Flat Washer M12	F2101081014	10
3	Hexagon Bolt M12x100	Y0301010062	2
4	Hexagon Bolt M12x90	Y0301010061	6
5	Hexagon Bolt M12x60	Y0301010057	2
6	Rear Axle Part	N/A	-
7	Rear Shock Absorber Assembly 4 Passenger (Lifted)	F0202006081	2
	Rear Shock Absorber Assembly 6 Passenger (Lifted)	F0202006082	2
	Rear Shock Absorber Assembly 4 Passenger	F0202006085	2
	Rear Shock Absorber Assembly 6 Passenger	F0202006086	2
8	Rear Axle Tube Kit Assembly	F0201013021	2



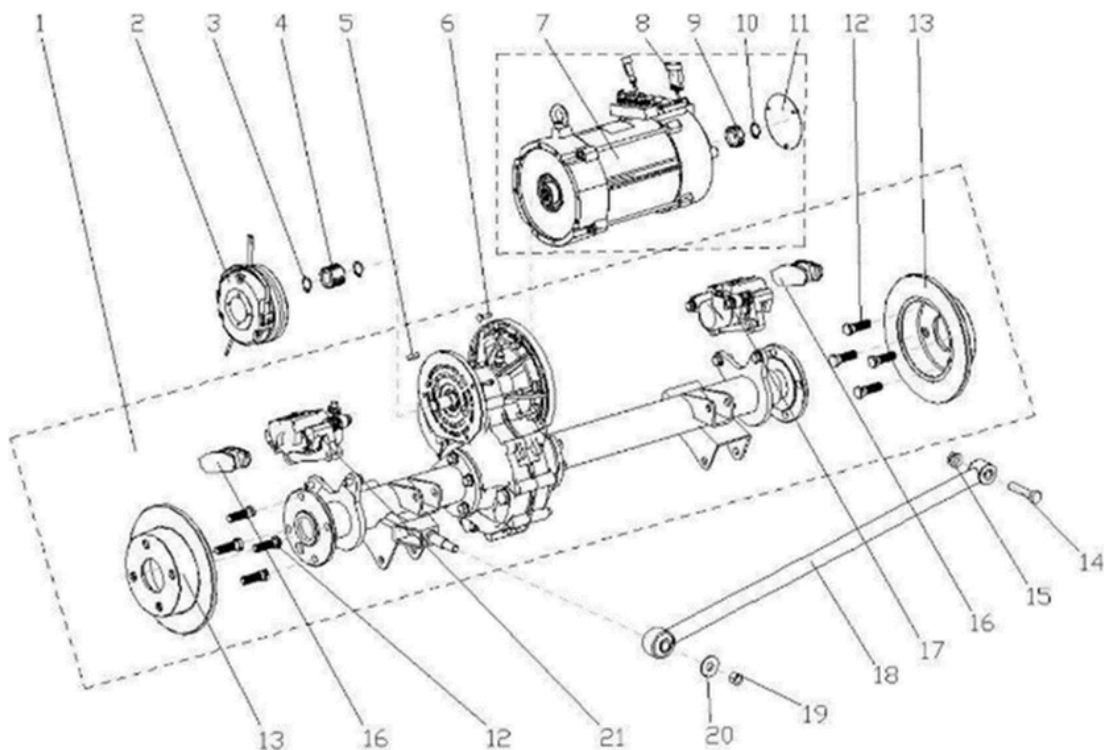
Rear Axle Assembly-Lifted Cart

No.	Description	Part Number	PCS
1	Rear Transaxle Lifted Assembly	F0201003108	1
2	Electronic Parking Brake	F0201004006	1
3	Circlip For Shaft	Y0301025007	2
4	Steering Assembly Spacer	F0201004006.5	1
5	Flat Key	F0201004006.7	1
6	Flange Bolt M6*20	F2101043020	5
7	AC Motor	F0302002072	1
8	Speed Sensor	F0302002072.5	1
9	Impulse Wheel	F0302002072.3	1
10	Circlip For Shaft	F0302002072.2	1
11	End Cover	F0302002072.1	1
12	Tire Bolt M12	F0201003108.1	8
13	Brake Disc	F0201003108.2	2
14	Hexagon Bolt M12x60	Y0301010057	1
15	Non-metallic Insert Hexagon Flange Locking Nut M12	Y030109093	1
16	Brake Pad	F0201003108.3	2
17	Brake Caliper (Right)	F0201003108.5	1
18	Rear Stabilizer Bar	F0201009030	1
19	Fine Thread Nut M12*1.25	Y0301019057	1
20	Enlarge Flat Washer M12	Y0301020200	1
21	Brake Caliper (Left)	F0201003108.4	1



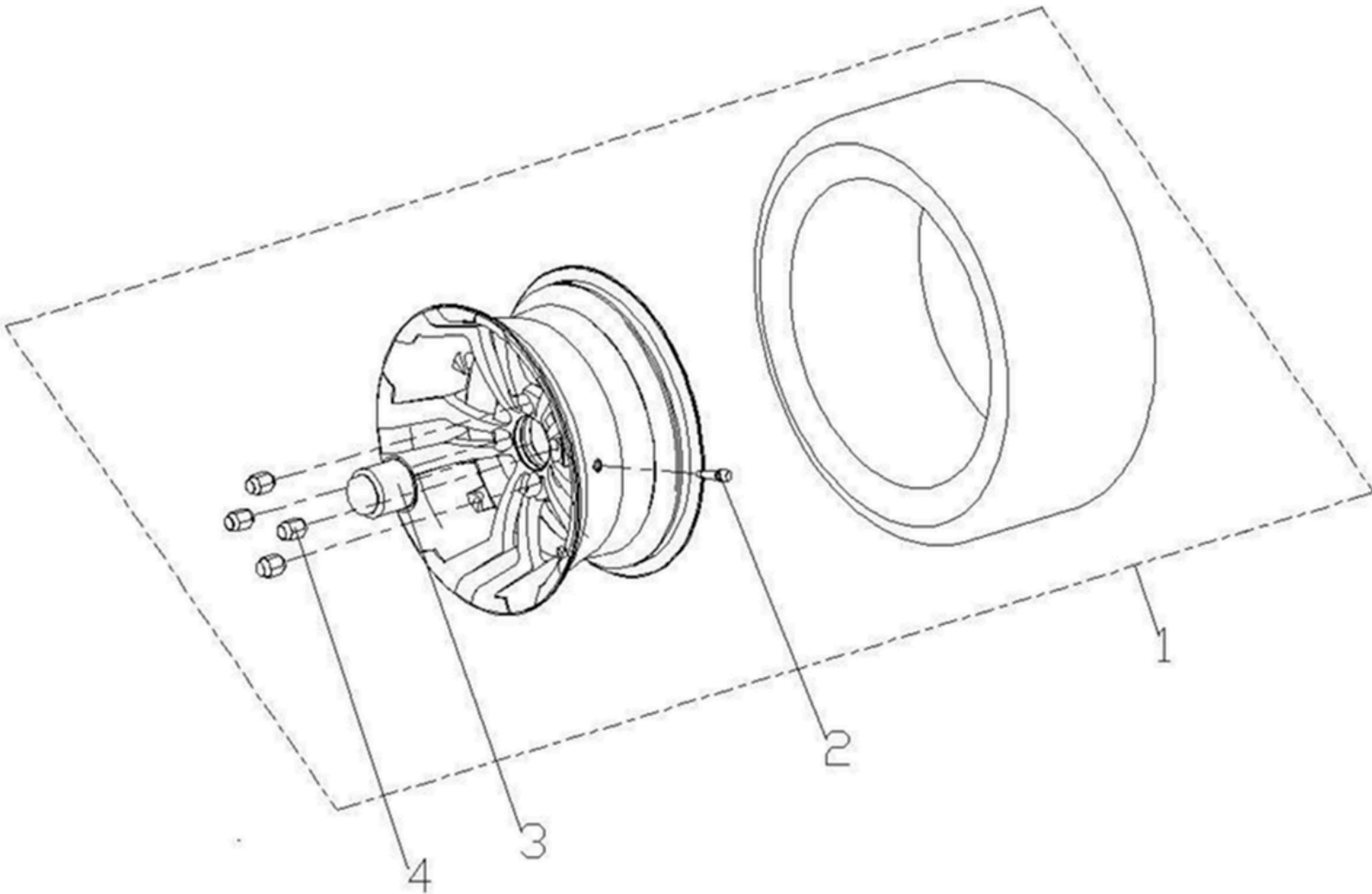
Rear Axle Assembly-Lowered Cart

No.	Description	Part Number	PCS
1	Rear Transaxle Assembly	F0201003109	1
2	Electronic Parking Brake	F0201004006	1
3	Circlip For Shaft	Y0301025007	2
4	Steering Assembly Spacer	F0201004006.5	1
5	Flat Key	F0201004006.7	1
6	Flange Bolt M6*20	F2101043020	5
7	AC Motor	F0302002072	1
8	Speed Sensor	F0302002072.5	1
9	Impulse Wheel	F0302002072.3	1
10	Circlip For Shaft	F0302002072.2	1
11	End Cover	F0302002072.1	1
12	Tire Bolt M12	F0201003109.1	8
13	Brake Disc	F0201003109.2	2
14	Hexagon Bolt M12x60	Y0301010057	1
15	Non-metallic Insert Hexagon Flange Locking Nut M12	Y030109093	1
16	Brake Pad	F0201003109.3	2
17	Brake Caliper (Right)	F0201003109.5	1
18	Rear Stabilizer Bar	F0201009030	1
19	Fine Thread Nut M12*1.25	Y0301019057	1
20	Enlarge Flat Washer M12	Y0301020200	1
21	Brake Caliper (Left)	F0201003109.4	1



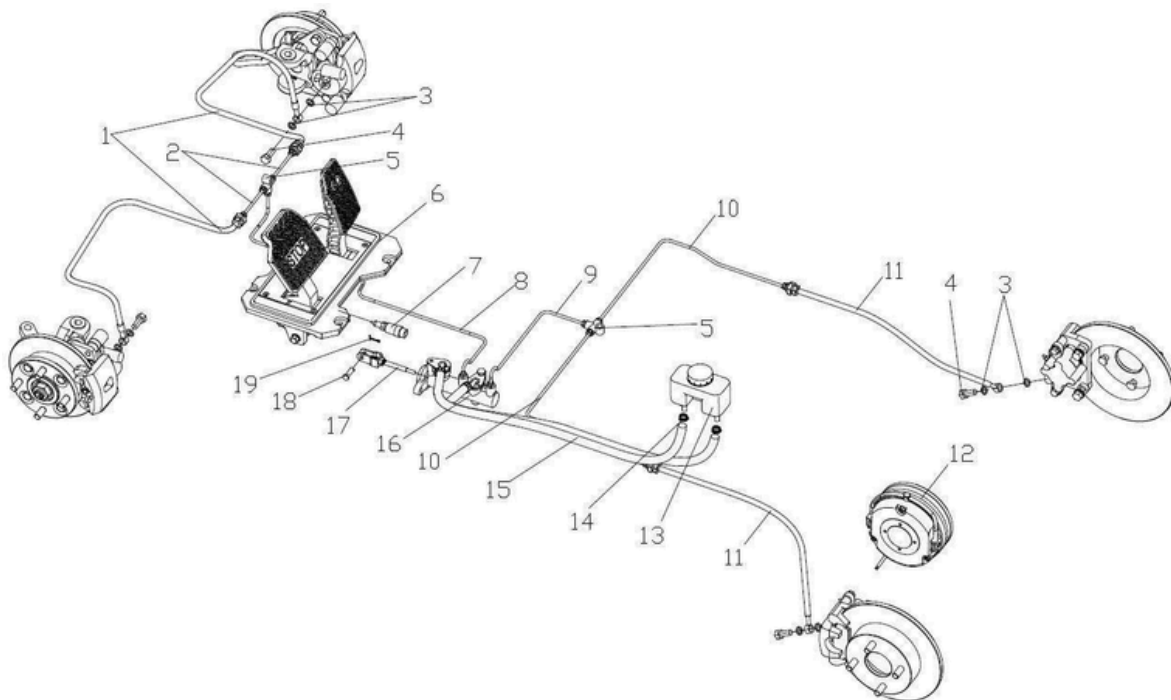
Tire Assembly

No.	Description	Part Number	PCS
1	Tire and Wheel Assembly (Lifted)	F0202009205-Lifted	4
	Tire Lifted	F0202009200	4
	Rim	F0202010217	4
	Tire and Wheel Assembly (Left)	F0202009205-Left	4
	Tire and Wheel Assembly (Right)	F0202009205-Right	4
	Tire (Left)	F0202009204-Left	4
	Tire (Right)	F0202009204-Right	4
2	Tire Valve	N/A	-
3	Large Shaft End Cover	N/A	-
4	Tire Nut (M12 x 1.25 Black Zinc Plating)	F2101059003	16



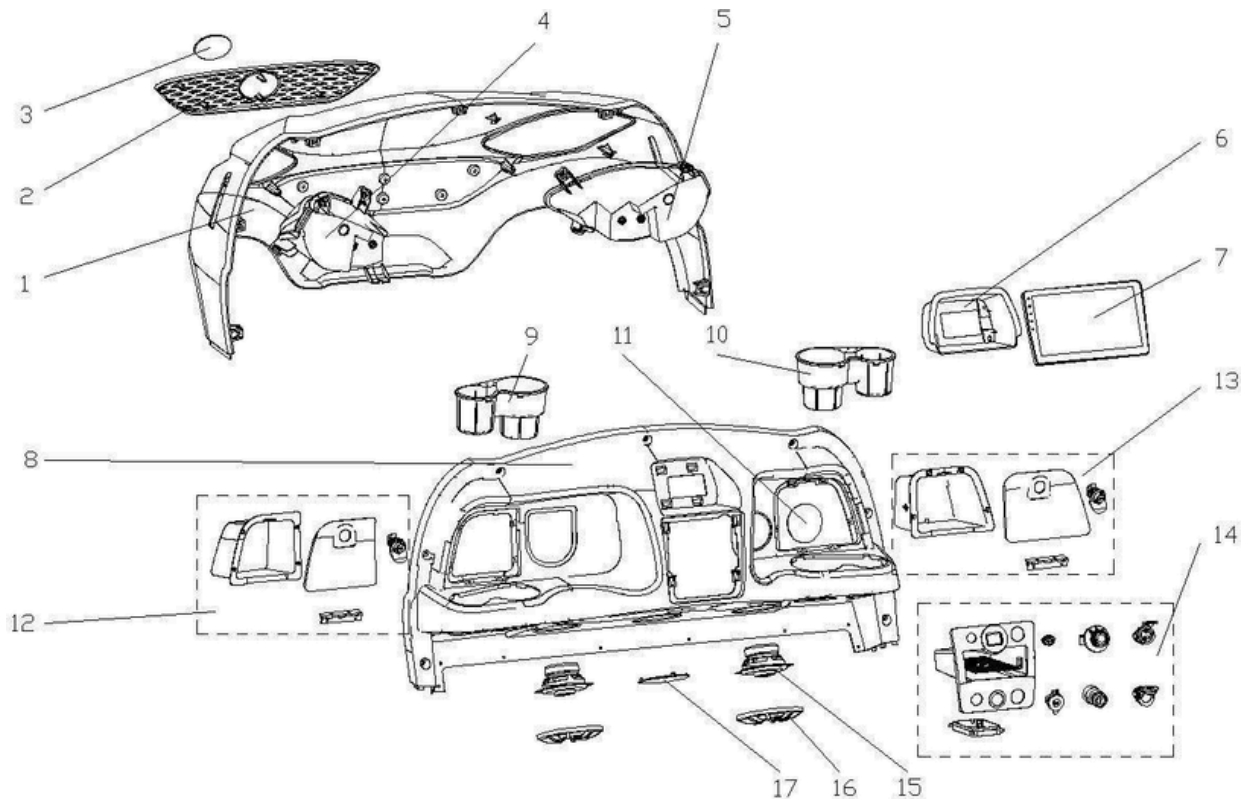
Brake System

No.	Description	Part Number	PCS
1	Front Brake Hose/L460	F0203007009	2
2	Formed Brake Oil Pipe - Front (Left & Right) (Lifted Cart)	F0203006043	1
	Formed Brake Oil Pipe - Left Front (Lowered Cart)	F0203006048	1
	Formed Brake Oil Pipe - Right Front (Lowered Cart)	F0203006049	1
3	Combination Washer	Y0211045	8
4	Hollow Bolt	D1901013	4
5	Three-way valve	D1901015	2
6	Pedal Assembly	F0303002008	1
7	Brake Light Switch	F0309005002	1
8	Formed Brake Oil Pipe - Middle Front (Lifted Cart)	F0203006042	1
	Formed Brake Oil Pipe - Middle Front (Lowered Cart)	F0203006047	1
9	Formed Brake Oil Pipe - Middle Rear (2/2+2 Seats)	F0203006039	1
	Formed Brake Oil Pipe - Middle Rear (4/4+2 Seats)	F0203006044	1
10	Formed Brake Oil Pipe - Left Rear	F0203006045	1
	Formed Brake Oil Pipe - Right Rear	F0203006046	1
11	Brake Hose/L520	F0203007010	2
12	Electronic Parking Brake (Black)	F0201004006	1
	Electronic Parking Brake (Silver)	F0201004009	1
13	Brake Reservoir	D2201005	1
14	Steel Strip Elastic Hoop	F0203003104.5	4
15	Brake Hose	N/A	2
16	Master Cylinder	F0203003104	1
17	Brake Master Cylinder Putter	F0203003104.2	1
18	Front Pin of Brake Cable	F0203003104.3	1
19	Cotter Pin	F0203003104.1	1



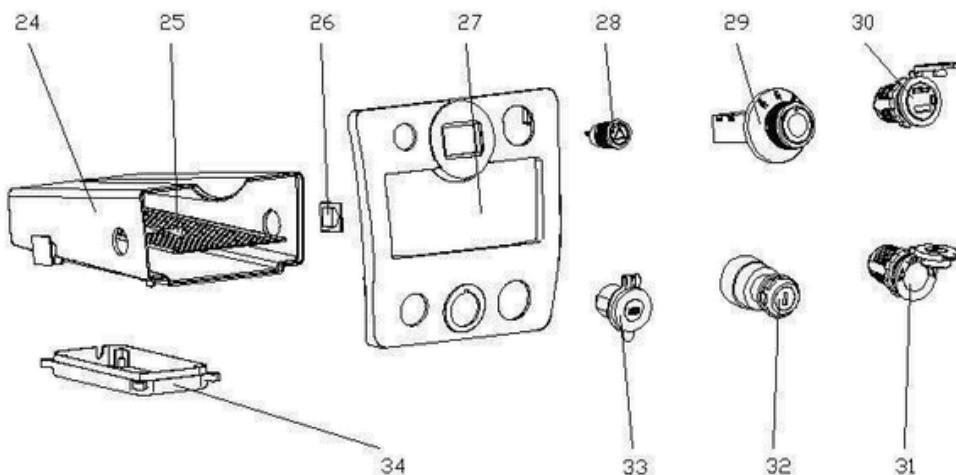
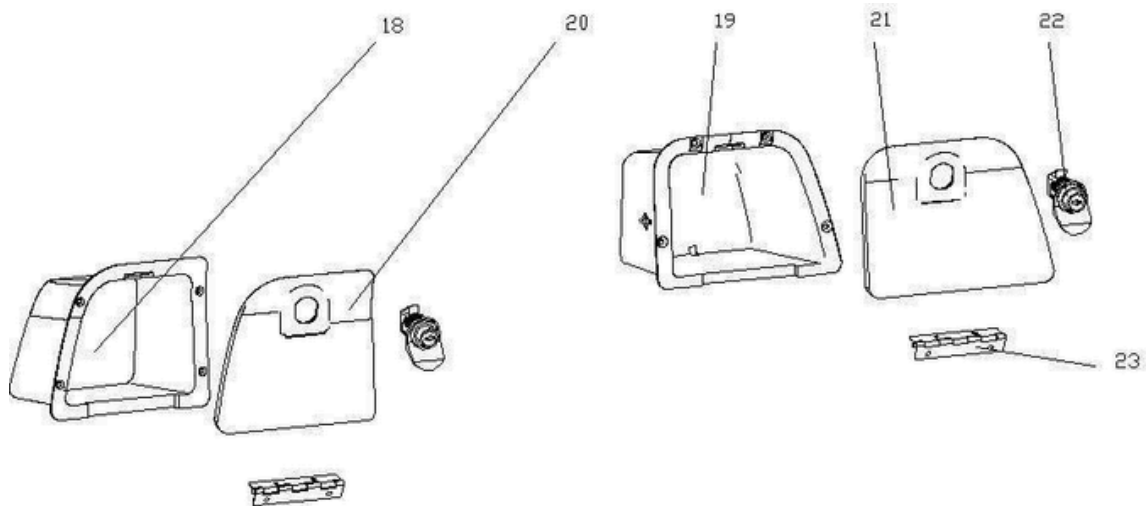
Front Body Cover Dashboard Assembly

No.	Description	Part Number	PCS
1	Charcoal Front Cowl	F0102077003-Charcoal	1
	Electric Blue Front Cowl	F0102077003-Electric Blue	1
	Orange Front Cowl	F0102077503-Orange	1
	White Front Cowl	F0102077518-White	1
	Hydro Front Cowl	F0102077519-Hydro	1
	Sky Front Cowl	F0102077520-Sky	1
	Anvil Front Cowl	F0102077521-Anvil	1
2	Centre Grill	F0102077041	1
3	Grill Logo	F0102077042	1
4	LED Light Left	F0308001049	1
5	LED Light Right	F0308001050	1
6	Display Housing	F0102073008	1
7	Reverse Dash Screen	F0307001032	1
8	Dash Panel	F0102077005	1
9	Cup Holder Left	F0102063006	1
10	Cup Holder Right	F0102063007	1
11	Dashboard Blanking Cap	F0102077019	1
12	Glove Box Assembly - Left	N/A	1
13	Glove Box Assembly - Right	N/A	1
14	Central Control Panel Assembly	N/A	1
15	Complete Speaker	F0307003026	2
16	Speaker Cover	F0307004009	2
17	Horn Cover	F0102049025	1



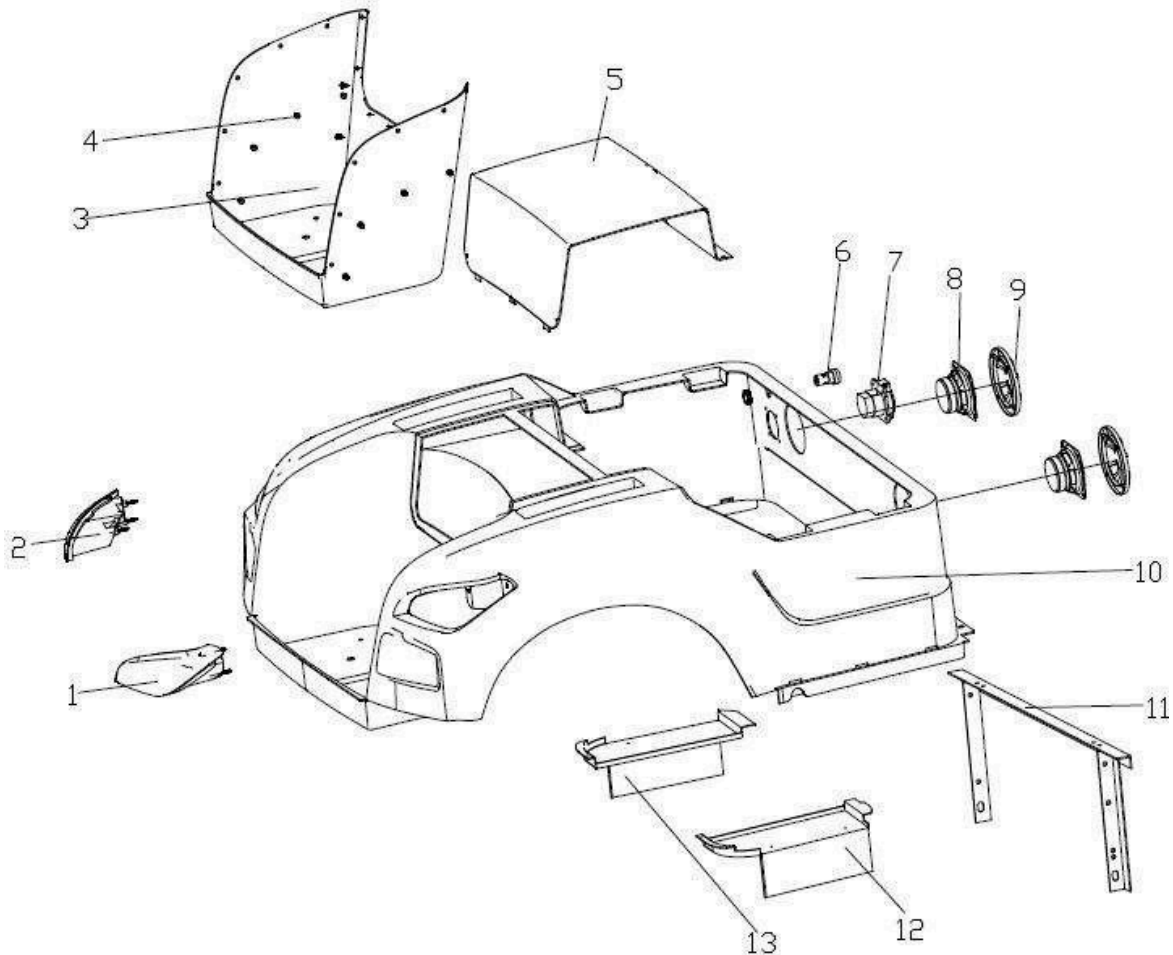
Dashboard Components

No.	Description	Part Number	PCS
18	Glove Box-Left	F0102077006	1
19	Glove Box-Right	F0102077007	1
20	Glove Box Cover-Left	F0102077008	1
21	Glove Box Cover-Right	F0102077009	1
22	Glove Box Lock	F0103003085	2
23	Hinge Of Glove Box	F0103024057	2
24	Accessory Electrical Socket	F0102077011	1
25	Wireless Charging Phone Protective Pad	F0103035087	1
26	Button Switch (Standby Power Supply)/Blue Indicator Light	F0309004008	2
27	Central Control Switch Panel	F0102077010	1
28	Button Switch (Double Flashing)/including Plug-in/Black	F0309004007	1
29	Knob Shift Switch	F0309006006	1
30	PD Quick Charge	F0309013050	1
31	Cigar Lighter Base	F0304017005	1
32	Ignition	F0309002212	1
33	USB Port	F0309013049	1
34	Wireless Charger Assembly	F0399011001	1



Rear Body Cover Assembly

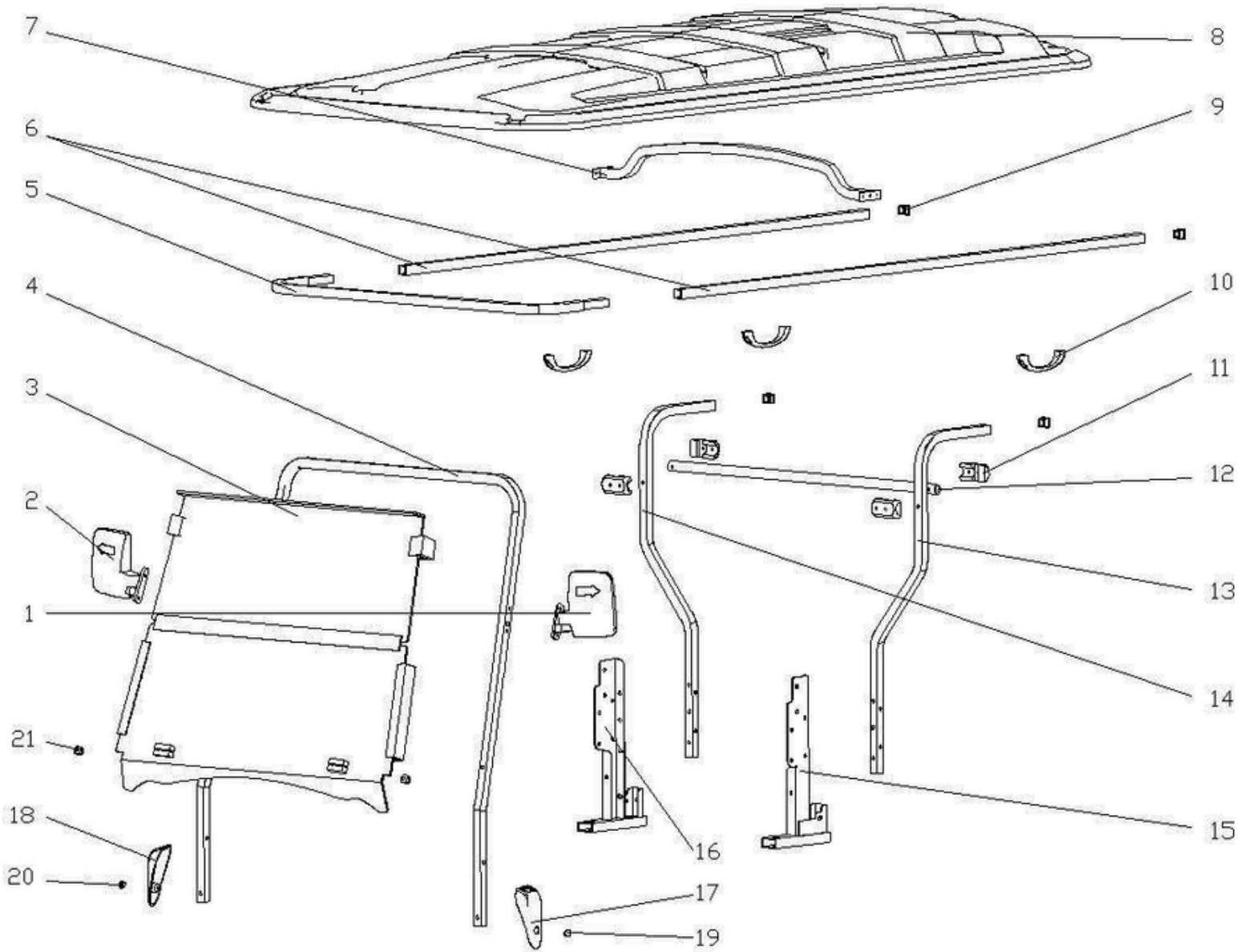
No.	Description	Part Number	PCS			
1	Rear Light Right	F0102045021	1			
2	Rear Light Left	F0102045020	1			
3	Caddie Protection Pad	F0102045012	1			
4	Snap Fastener	F0103064016	19			
5	Electronic Control Access Cover	F0102045011	1			
6	Charging Indicator Light {Lithium Battery Version}	F0399007002	11			
7	Charging Socket	F0301014026	1			
8	Complete Speaker	F0307003026	2			
9	Speaker Cover	F0307004009	2			
10	Rear Quarter Panel Charcoal	F0102045528-Charcoa	1			
	Rear Quarter Panel Electric Blue	F0102045528-Electric Blue	1			
	Rear Quarter Panel Orange	F0102045538-Orange	1			
	Rear Quarter Panel White	F0102045539-White	1			
	Rear Quarter Panel Hydro	F0102045540-Hydro	1			
	Rear Quarter Panel Sky	F010204554-Sky	1			
	Rear Quarter Panel Anvil	F010204554-Anvil	1			
11	Seat Bucket Bracket	F0102047503	1			
12	Rear Hood Water Deflector-Left	F0102063028	13	Rear Hood Water Deflector-Right	F0102063029	1
13	Rear Hood Water Deflector-Right	F0102063029	1			



Roof Assembly-2+2 Seats Lowered Cart & Lifted Cart

No.	Description	Part Number	PCS
1	Side Mirror Left	F0103017039	1
2	Side Mirror Right	F0103017040	1
3	Laminated Windshield	F0103009031	1
4	Laminated Windshield Frame	F0102081501	1
5	Interior Rearview Mirror	F0103016008	1
6	4 Roof Frame	F0102081502.1	1
7	6 Roof Frame	F0102081502.2	2
8	Roof Reinforcement Beam	F0102081510	1
9	4p Charcoal Roof	F0102081503-Charcoal	1
	4p Electric Blue Roof	F0102081503-Electric Blue	1
	4p Orange Roof	F0102081504-Orange	1
	4p White Roof	F0102081505-White	1
	4p Hydro Roof	F0102081506-Hydro	1
	4p Sky Roof	F0102081507-Sky	1
	4p Anvil Roof	F0102081507-Anvil	1
10	Square Tube Rubber Blanking Cap	F0102040033	4
11	Handle	F0103025019	3
12	Caddie Handle Fixing Bracket	F0102045064	4
13	Caddie Handle	F0102077517	2
14	Roof Rear Support (Left)	F0102077515	1
15	Roof Rear Support (Right)	F0102077516	1
16	Roof Support Reinforcement (Left)	F0102077509	1
17	Roof Support Reinforcement (Right)	F0102077510	1
18	Roof Front Strut Sheath Left	F0102077014	1
19	Roof Front Strut Sheath Right	F0102077015	1
20	Left Sheath - Blanking Cap	F0102063033	1
21	Right Sheath - Blanking Cap	F0102063034	1
22	Rubber Plug	F0103009031.1	1

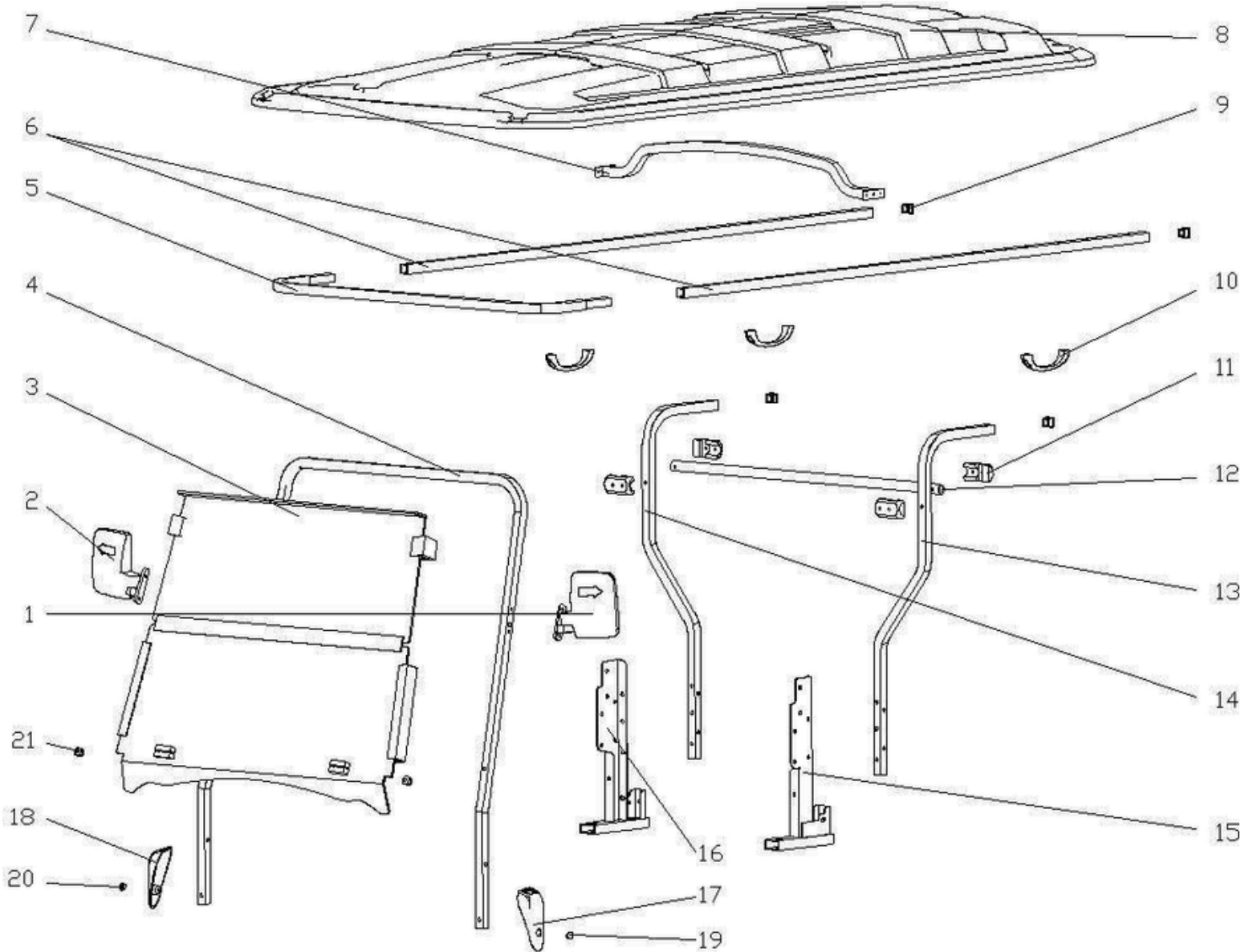
Roof Assembly-2+2 Seats Lowered Cart & Lifted Cart Parts



Roof Assembly-4+2 Seats Lowered Cart & Lifted Cart

No.	Description	Part Number	PCS
1	Side Mirror Left	F0103017039	1
2	Side Mirror Right	F0103017040	1
3	Laminated Windshield	F0103009031	1
4	Laminated Windshield Frame	F0102081501	1
5	Interior Rearview Mirror	F0103016008	1
6	4 Roof Frame	F0102081502.1	1
7	6 Roof Frame	F0102081502.2	2
8	Roof Reinforcement Beam	F0102081510	1
9	6p Charcoal Roof	F0102084501-Charcoal	1
	6p Electric Blue Roof	F0102084501-Electric Blue	1
	6p Orange Roof	F0102084502-Orange	1
	6p White Roof	F0102084503-White	1
	6p Hydro Roof	F0102084504-Hydro	1
	6p Sky Roof	F0102084505-Sky	1
	6p Anvil Roof	F0102084505-Anvil	1
10	Square Tube Rubber Blanking Cap	F0102040033	4
11	Handle	F0103025019	3
12	Caddie Handle Fixing Bracket	F0102045064	4
13	Caddie Handle	F0102077517	2
14	Rear Support (Left)	F0102077515	1
15	Rear Support (Right)	F0102077516	1
16	Roof Support Reinforcement (Left)	F0102077509	1
17	Roof Support Reinforcement (Right)	F0102077510	1
18	Roof Front Strut Sheath Left	F0102077014	1
19	Roof Front Strut Sheath Right	F0102077015	1
20	Left Sheath-Blanking Cap	F0102063033	1
21	Right Sheath-Blanking Cap	F0102063034	1
22	Rubber Plug	F0103009031.1	1

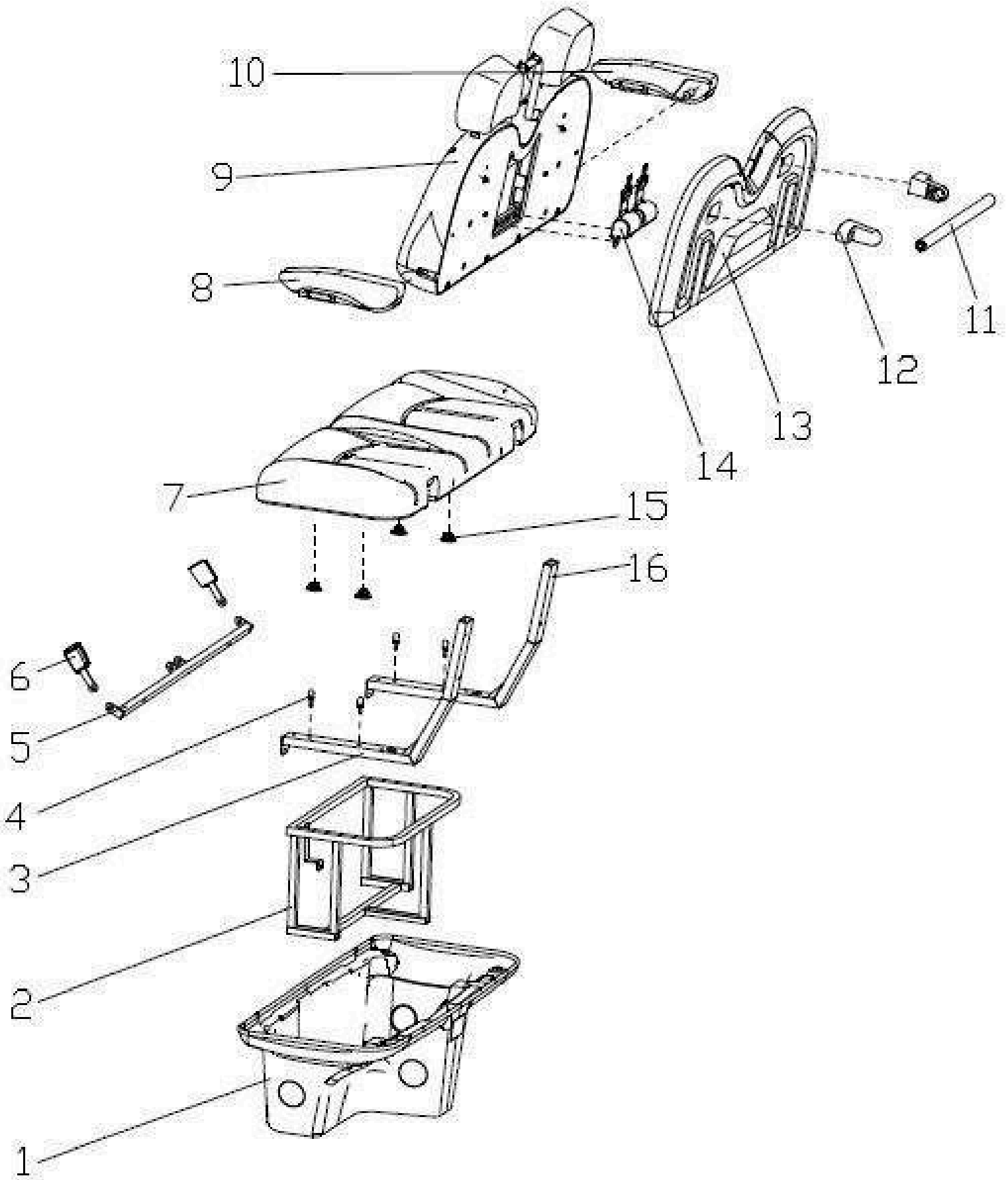
Roof Assembly-4+2 Seats Lowered Cart & Lifted Cart Parts



Middle Seat Bucket, Seat

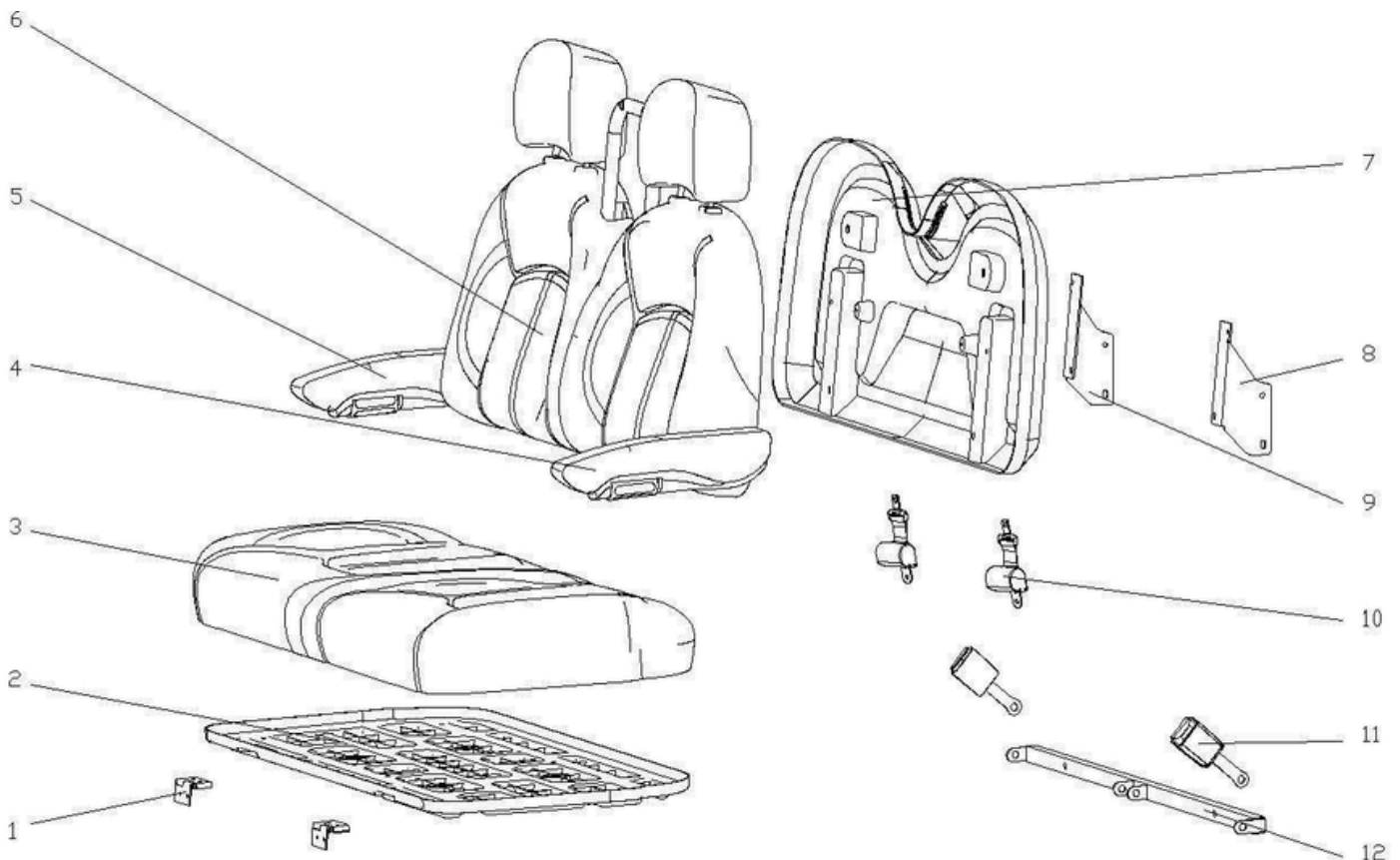
No.	Description	Part Number	PCS
1	Charcoal Seat Panel	F0102045530-Charcoal	1
	Electric Blue Seat Panel	F0102045530-Electric Blue	1
	Orange Seat Panel	F0102045546-Orange	1
	White Seal Panel	F0102045547-White	1
	Hydro Seat Panel	F0102045548-Hydro	1
	Sky Seat Panel	F0102045549-Sky	1
	Anvil Seat Panel	F0102045549-Anvil	1
2	Middle Seat Frame	F0102064501	1
3	Backrest Bracket-Left	F0102077511	1
4	Ball Joint	F0103015006.1	4
5	Seat Belt Mounting Bracket	F0102047504	1
6	Female Seat Belt	F0103013011.1	2
7	Charcoal Middle Seat Cushion	F0103014289-Charcoal	1
	Electric Blue Middle Seat Cushion	F0103014289-Electric Blue	1
	Orange Middle Seat Cushion	F0103014289-Orange	1
	White Middle Seat Cushion	F0103014289-White	1
	Hydro Middle Seat Cushion	F0103014289-Hydro	1
	Sky Middle Seat Cushion	F0103014289-Sky	1
	Anvil Middle Seat Cushion	F0103014289-Anvil	1
8	Armrest Left	F0103014290.1	1
9	Charcoal Backrest	F0103014290-Charcoal	1
	Electric Blue Backrest	F0103014290-Electric Blue	1
	Orange Backrest	F0103014290-Orange	1
	White Backrest	F0103014290-White	1
	Hydro Backrest	F0103014290-Hydro	1
	Sky Backrest	F0103014290-Sky	1
	Anvil Backrest	F0103014290-Anvil	1
10	Armrest Right	F0103014290.2	1
11	Rear Handle	F0102077038	1
12	Rear Handle Fixing Bracket	F0102077037	2
13	Backrest Cover	F0102077035	1
14	Complete 3pt Seat Belt	F0103013011	2
15	Seat Plastic Buckle	F0103015006	4
6	Backrest Bracket-Right	F0102077512	1

Middle Seat Bucket, Seat Parts



Cushion Backrest Assembly

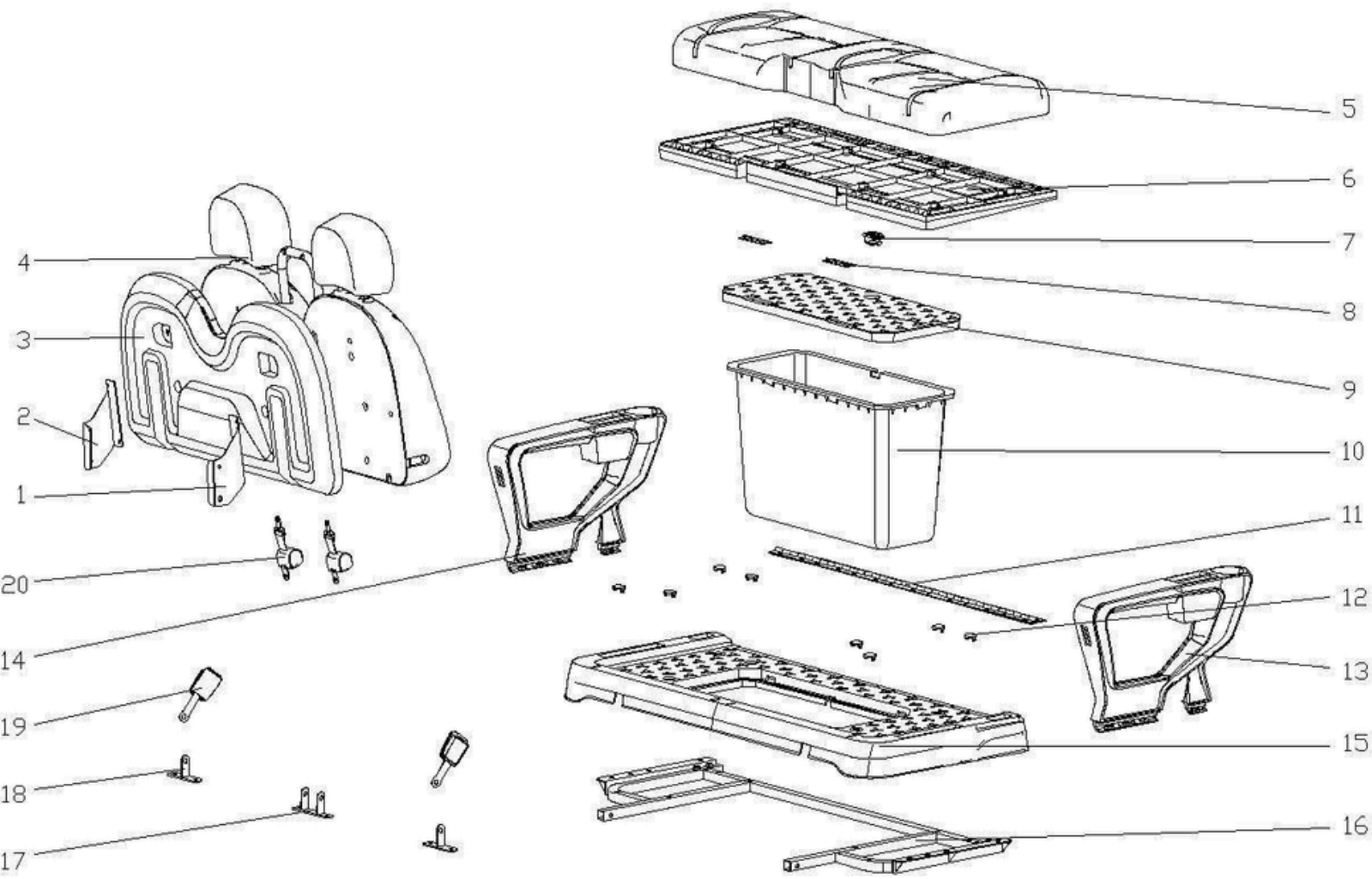
No.	Description	Part Number	PCS
1	Hinge	F0103015040	2
2	Cushion Floor	F0102077036	1
3	Charcoal Cushion	F0103014287-Charcoal	1
	Electric Blue Cushion	F0103014287-Electric Blue	1
	Orange Cushion	F0103014287-Orange	1
	White Cushion	F0103014287-White	1
	Hydro Cushion	F0103014287-Hydro	1
	Sky Cushion	F0103014287-Sky	1
	Anvil Cushion	F0103014287-Anvil	1
4	Armrest-Left	F0103014290.1	1
5	Armrest-Right	F0103014290.2	1
6	Charcoal Backrest	F0103014290-Charcoal	1
	Electric Blue Backrest	F0103014290-Electric Blue	1
	Orange Backrest	F0103014290-Orange	1
	White Backrest	F0103014290-White	1
	Hydro Backrest	F0103014290-Hydro	1
	Sky Backrest	F0103014290-Sky	1
	Anvil Backrest	F0103014290-Anvil	1
7	Backrest Cover	F0102077035	1
8	Armrest-Left	F0102077507	1
9	Armrest-Right	F0102077508	1
10	Complete 3pt Seat Belt	F0103013011	2
11	Seat Belt Buckle	F0103013011.1	2
12	Seat Belt Bracket	F0102047504	1



Flip Seat & Backrest Assembly-2+2, 4+2 Seats Lowered Cart & Lifted Cart {Used Before 160 Units)

No.	Description	Part Number	PCS
1	Rear Back Bracket Left	F0102077522	1
2	Rear Back Bracket Right	F0102077523	1
3	Backrest Cover	F0102077035	1
4	Charcoal Backward Backrest	F0103014291-Charcoal	1
	Pulse Electric Blue Backward Backrest	F0103014291-Electric Blue	1
	Orange Backward Backrest	F0103014291-Orange	1
	White Backward Backrest	F0103014291-White	1
	Hydro Backward Backrest	F0103014291-Hydro	1
	Sky Backward Backrest	F0103014291-Sky	1
	Anvil Backward Backrest	F0103014291-Anvil	1
5	Charcoal Flip Seat Rear Bottom Cushion	F0103014288-Charcoal	1
	Electric Blue Flip Seat Rear Bottom Cushion	F0103014288-Electric Blue	1
	Orange Flip Seat Rear Bottom Cushion	F0103014288-Orange	1
	White Flip Seat Rear Bottom Cushion	F0103014288-White	1
	Hydro Flip Seat Rear Bottom Cushion	F0103014288-Hydro	1
	Sky Flip Seat Rear Bottom Cushion	F0103014288-Sky	1
	Anvil Flip Seat Rear Bottom Cushion	F0103014288-Anvil	1
6	Cushion Flap	F0102081010	1
7	Spring Lock	F0102081016	1
	Reverse Kit Cooler Latch	F0103035089	1
8	Ice Bucket Hinge	F0102081015.1	2
9	Ice Bucket Cover	F0102081014	1
10	Ice Bucket	F0102081015	1
11	Flip Hinge	F0102081011	7
	Flip Hinge Axis	F0102081012	1
12	Flip Seat Blanking Cap	F0102081018	24
13	Flip Seat Armrest - Left	F0102081013.1	1
14	Flip Seat Armrest - Right	F0102081013.2	1
15	Flip Seat Floor	F0102081009	1
16	Flip Seat Reinforcement Frame	F0102078504	1
17	Seat Belt Bracket 1	F0102081519	1
18	Seat Belt Bracket 2	F0102081520	1
19	ELR 3-point Seat Belt Buckle	F0103013014.1	2
20	ELR 3-point Seat Belt	F0103013014	2

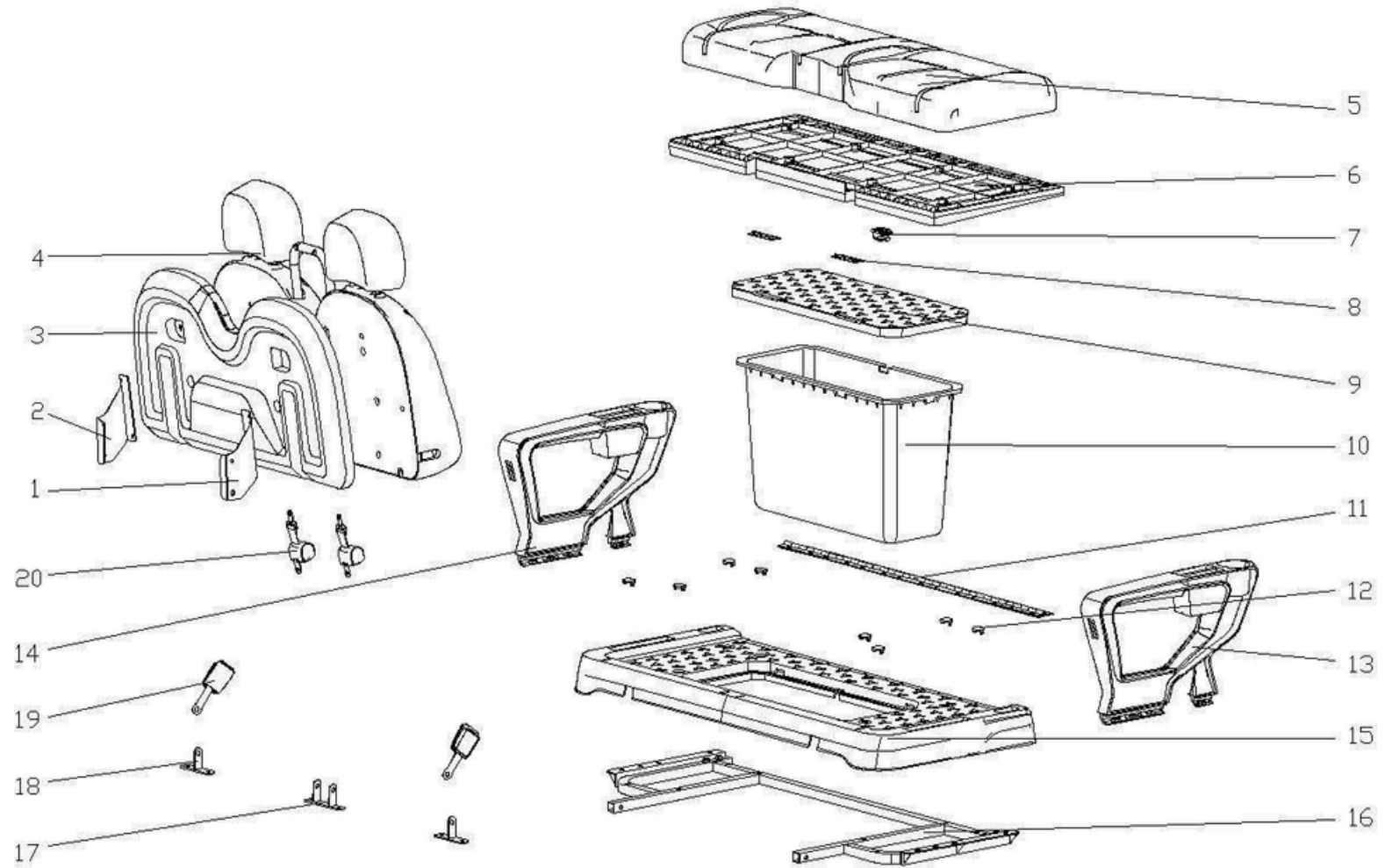
Flip Seat & Backrest Assembly-2+2, 4+2 Seats Lowered Cart & Lifted Cart {Used Before 160 Units) Parts



Flip Seat & Backrest Assembly-2+2, 4+2 Seats Lowered Cart & Lifted Cart {Used After 160 Units)

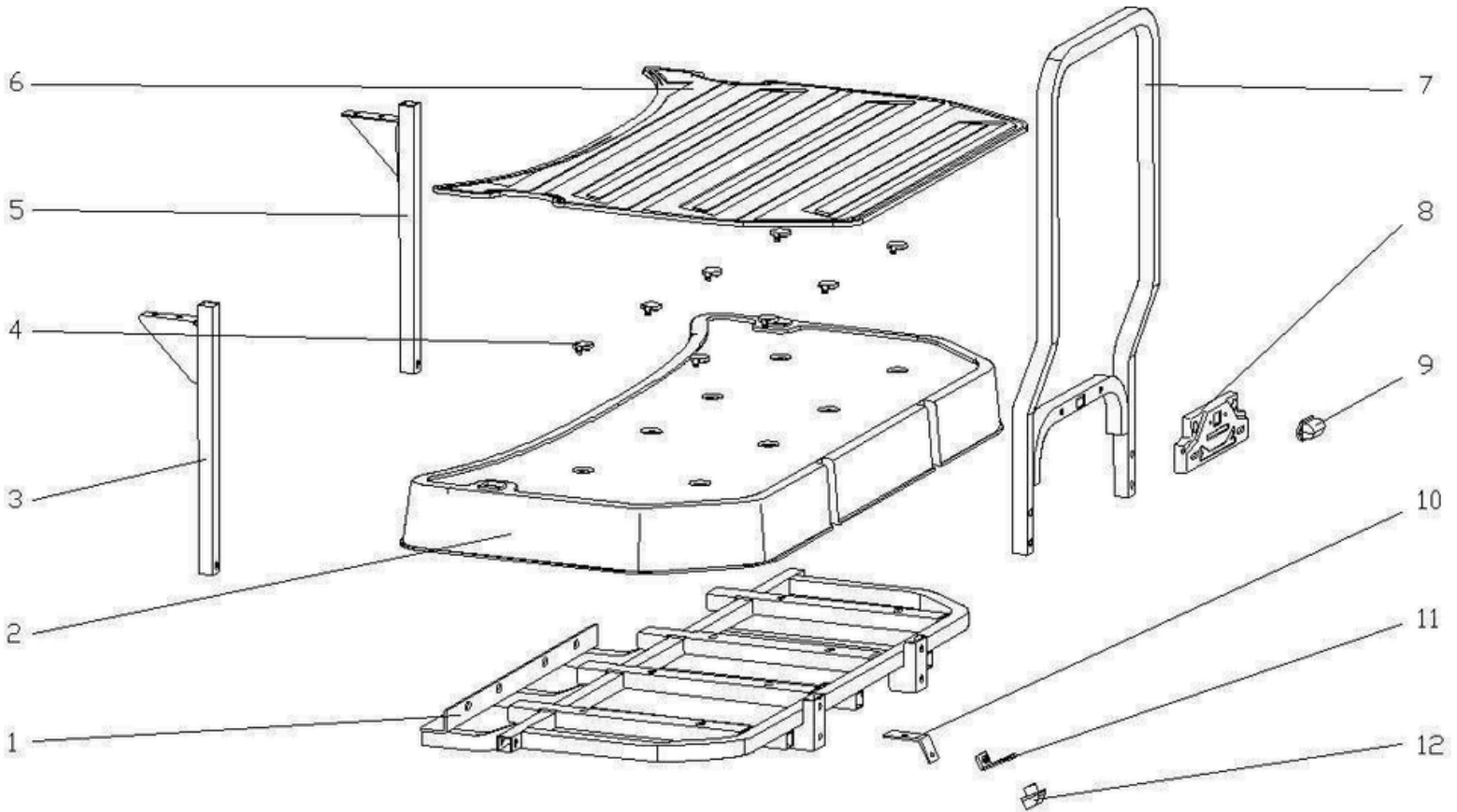
No.	Description	Part Number	PCS
1	Rear Back Bracket Left	F0102077522	1
2	Rear Back Bracket Right	F0102077523	1
3	Backrest Cover	F0102077035	1
4	Charcoal Backward Backrest	F0103014291-Charcoal	1
	Pulse Electric Blue Backward Backrest	F0103014291-Electric Blue	1
	Orange Backward Backrest	F0103014291-Orange	1
	White Backward Backrest	F0103014291-White	1
	Hydro Backward Backrest	F0103014291-Hydro	1
	Sky Backward Backrest	F0103014291-Sky	1
	Anvil Backward Backrest	F0103014291-Anvil	1
5	Charcoal Flip Seat Rear Bottom Cushion	F0103014288-Charcoal	1
	Electric Blue Flip Seat Rear Bottom Cushion	F0103014288-Electric Blue	1
	Orange Flip Seat Rear Bottom Cushion	F0103014288-Orange	1
	White Flip Seat Rear Bottom Cushion	F0103014288-White	1
	Hydro Flip Seat Rear Bottom Cushion	F0103014288-Hydro	1
	Sky Flip Seat Rear Bottom Cushion	F0103014288-Sky	1
	Anvil Flip Seat Rear Bottom Cushion	F0103014288-Anvil	1
6	Cushion Flap	F0102081010	1
7	Spring Lock	F0102081016	1
	Ice Bucket Rubber Plug	F0103035089	1
8	Ice Bucket Hinge	F0102081015.1	2
9	Ice Bucket Cover	F0102081014	1
10	Ice Bucket	F0102081015	1
11	Flip Hinge	F0102081011	7
	Flip Hinge Axis	F0102081012	1
12	Flip Seat Blanking Cap	F0102081018	24
13	Flip Seat Armrest - Left	F0102081013.1	1
	Flip Seat Armrest - Right	F0102081013.2	1
14	Flip Seat Floor	F0102081009	1
15	Flip Seat Reinforcement Frame (Used After 160 Units)	F0102081511	1
16	ELR 3-point Seat Belt Buckle	F0103013014.1	2
17	ELR 3-point Seat Belt	F0103013014	2

Flip Seat & Backrest Assembly-2+2, 4+2 Seats Lowered Cart & Lifted Cart {Used After 160 Units) Parts



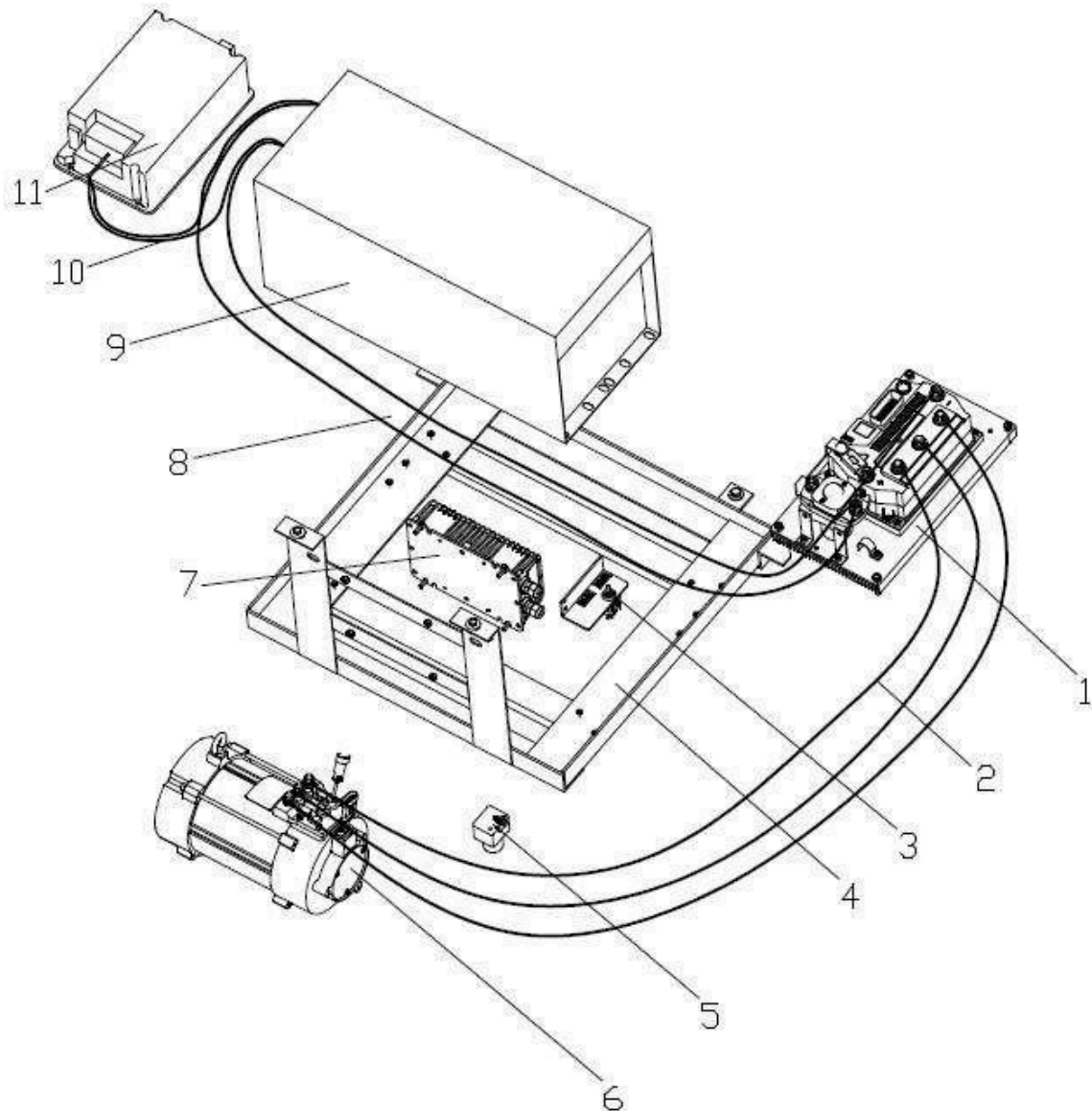
Rear Pedal Assembly-2+2. 4+2 Seats Lowered Cart & Lifted Cart

No.	Description	Part Number	PCS
1	Pedal Frame Assembly	F0102081514	1
2	Flip Seat Pedal	F0102081017	1
3	Foot Pedal Connecting Beam - Left	F0102081512	1
4	Flip Seat Blanking Cap	F0102081018	8
5	Foot Pedal Connecting Beam - Right	F0102081513	1
6	Rear Pedal Formed Floor Leather	F0103027117	1
7	Rear Grab Bar	F0102081515	1
8	License Plate Frame	F0102077043	1
9	Light Of License Plate	F0308011004	1
10	Camera Mounting Plate 1	F0102081516	1
11	Camera Mounting Plate 2	F0102081517	1
12	Reverse Camera	F0307001032.1	1



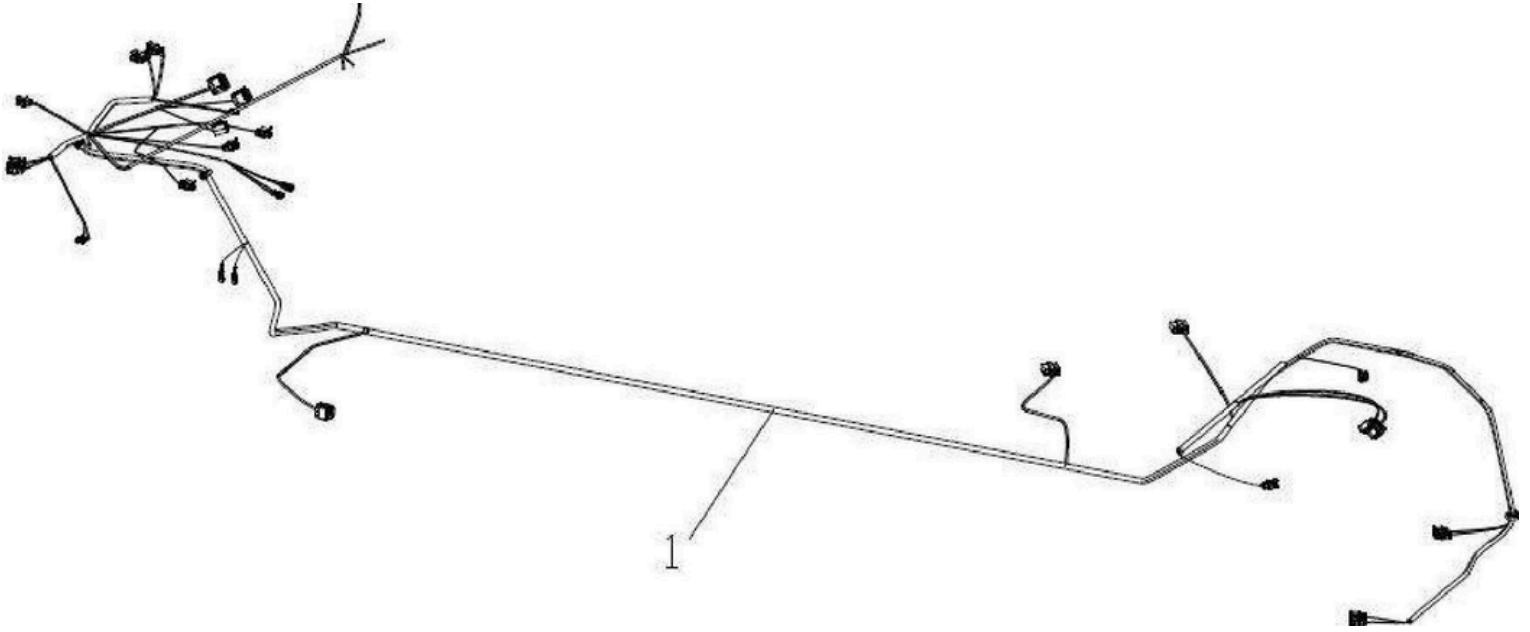
Electronic Control

No.	Description	Part Number	PCS
1	Controller 48V450A (Lifted)	F0302012106	1
	Controller 48V450A	F0302012110	1
2	Power Wire Assembly	F0304002228.1	3
3	Button Switch With Wiring Harness	F0309002208	1
4	Battery Frame	F0102077506	1
5	Reverse Alarm	F0304009003	1
6	Motor	F0302002072	1
7	DC-Converter	F0304004045	1
8	Power Wire Assembly	F0304002228.2	2
9	Battery Assembly	N/A	1
10	Power Wire Assembly	F0304002228.3	2
11	Charger	N/A	1



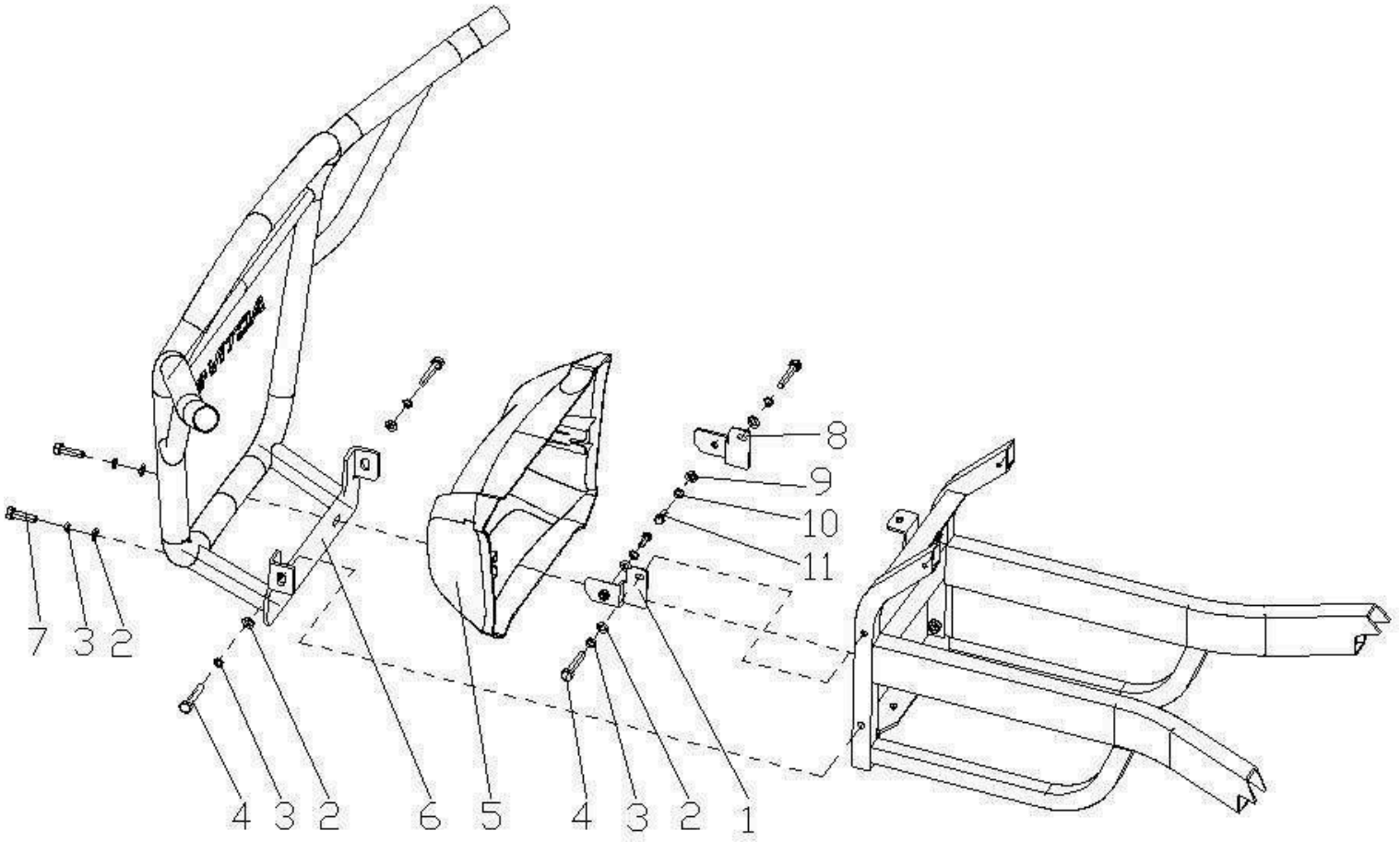
Wiring

No.	Description	Part Number	PCS
1	4PR Lithium Wire Harness	F0304001501	1
	6PR Lithium Wire Harness	F0304001502	1



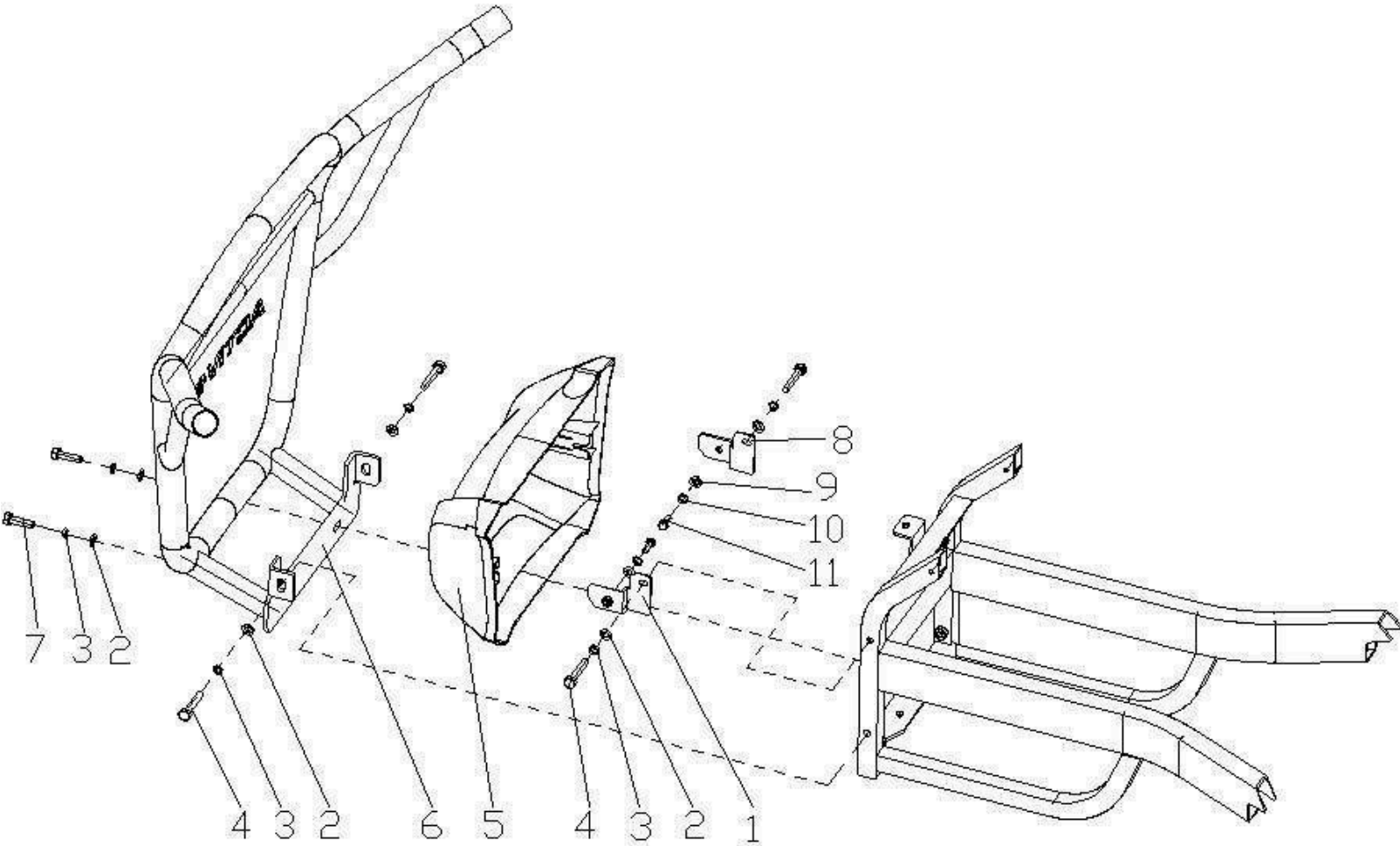
Lowered Cart Front Bumper & Brush Guard

No.	Description	Part Number	PCS
1	Front Bumper Mounting Bracket-Left	F0102077501.1	1
2	Large Flat Washer 6	Y0301020009	6
3	Spring Washer 8	Y0301021005	6
4	Hexagon Bolt M8x45	F2101018004	4
5	Front Bumper	F0102077004	1
6	Brush Guard	F0102081527	1
7	Hexagon Bolt M8x30	Y0301010022	2
8	Front Bumper Mounting Bracket-Right	F0102077501.2	1
9	Large Flat Washer 6	Y0301020006	2
10	Spring Washer 6	F2101083009	2
11	Hexagon Bolt M6x20	Y0301014024	2



Lifted Cart Front Bumper & Brush Guard

No.	Description	Part Number	PCS
1	Front Bumper Mounting Bracket-Left	F0102077501.1	1
2	Large Flat Washer 6	Y0301020009	6
3	Spring Washer 8	Y0301021005	6
4	Hexagon Bolt M8x45	F2101018004	4
5	Front Bumper	F0102077004	1
6	Brush Guard	F0102077502	1
7	Hexagon Bolt M8x30	Y0301010022	2
8	Front Bumper Mounting Bracket-Right	F0102077501.2	1
9	Large Flat Washer 6	Y0301020006	2
10	Spring Washer 6	F2101083009	2
11	Hexagon Bolt M6x20	Y0301014024	2



Side Step-Lifted Cart

No.	Description	Part Number	PCS
	Side Step 4 Passenger	F0102077504	1 Set
	Side Step 6 Passenger	F0102077505	1 Set
1	Side Step 6 Passenger (Right)	F0102077505.1	1
2	Side Step 6 Passenger (Left)	F0102077505.2	1
3	Side Step Connection Bracket 6 Passenger	F0102077505.3	6
4	Side Step 4 Passenger (Left)	F0102077504.1	1
5	Side Step 4 Passenger (Right)	F0102077504.2	1
6	Side Step Front Connection Bracket 4 Passenger	F0102077504.3	2
7	Side Step Rear Connection Bracket 4 Passenger (Left)	F0102077504.4	1
8	Side Step Rear Connection Bracket 4 Passenger (Right)	F0102077504.5	1

